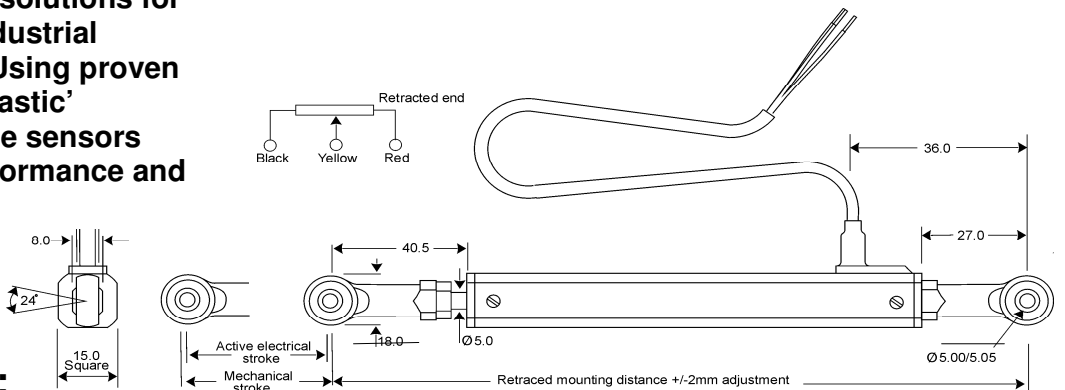
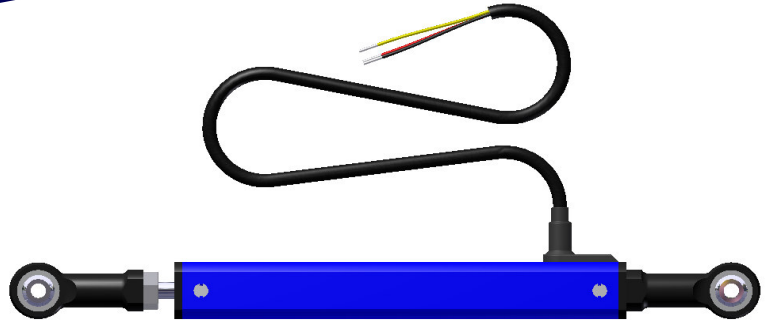




## PS-C15 Series Linear Potentiometer

- **Rugged Construction**
- **Excellent Linearity**
- **Sealed To IP65**
- **Long Life**

The PS-C15 series of Linear Potentiometers are designed to provide linear measurement solutions for a variety of industrial applications. Using proven 'conductive plastic' technology, the sensors offer high performance and reliability.



### Specifications:

PS-C15- Electrical Stroke (mm)	25	50	75	100	150	200	250
Retracted Mounting Distance (mm)*	173	198	223	248	298	351	401
Resistance (K $\Omega$ ) +/-20%	2.5	5	7.5	10	10	10	10
Maximum Supply Voltage	40VDC						
Resolution	Essentially Infinite						
Repeatability	$\leq 0.01$ mm						
Operational Speed	10 M/s max						
Mechanical Life	> 25 Million Cycles						
Temperature Range	-40 to +100°C						
Environmental Sealing	IP65						
Recommended Wiper Current	< 10 $\mu$ A						
Independent Linearity*	$\leq \pm 0.5\%$						
Cable Type*	Raychem 55A, 24 AWG, Braid & FDR Extruded Sleeve						
Cable Length*	500mm						
Track Technology	Conductive Plastic						
Housing Material	Aluminium						
Mechanical Fixing	2 x Spherical Bearing, Alloy Body. Mounting Hole $\varnothing 5$ mm						

\*Custom options are available on request.

Specifications are subject to change, without notice.

Warranty: The PS-C15 series are backed by a 1 year warranty. The user is responsible for correct installation and application suitability.