

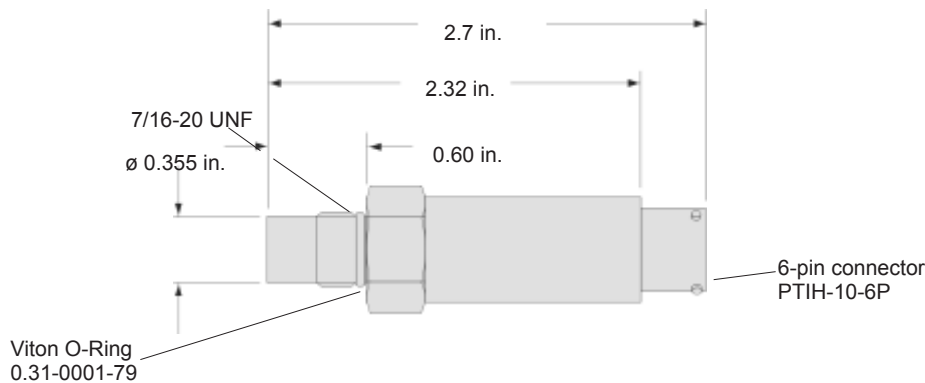
Model A-105a Flush Diaphragm, High Level Output Pressure Transducer

Order Code (see below)

- Flush Diaphragm
- Fully Welded Construction
- Stainless Steel



Dimensions



Order Codes

Mounting Threads	Output		
	4-20 mA	1-5 VDC	1-10 VDC
7/16-20 UNF	AP313	AP314	AP315
M12 x 1.75-6G	AP316	AP317	AP318

Performance

Pressure Ranges.....500; 1000; 2000; 3000; 5000; 10,000 psi
 Accuracy.....+/-0.5% F.S.
 Output.....4-20 mA @ 9-28 VDC
 ..1-5 or 1-10 VDC @ 16-28 VDC
 Resolution.....Infinite

Environmental

Temperature, Operating.....-20° to 185°F
 Temperature, Compensated.....30° to 160°F
 Temperature, Effect
 Zero.....0.015% Full scale/ °F
 Span.....0.02% Reading/ °F

Electrical

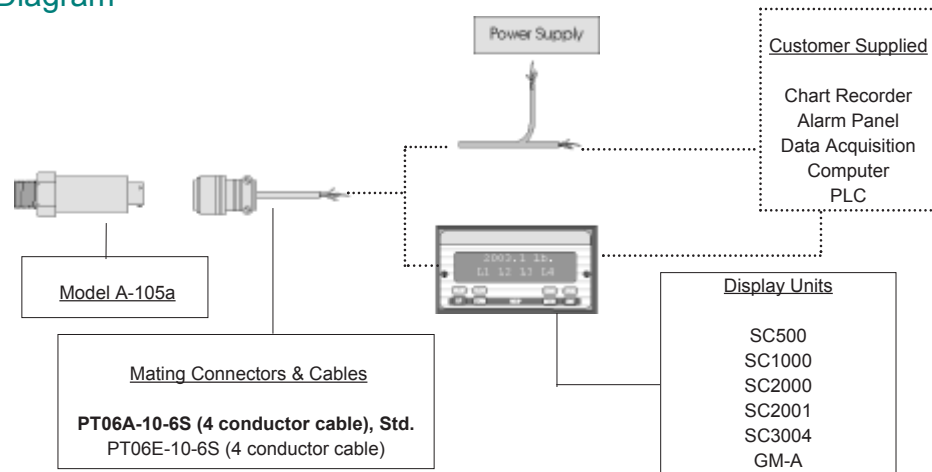
Electrical Termination (std).....PTIH-10-6P or equivalent
 Mating Connector (not incl.).....AA111 (PT06A-10-6S)

Mechanical

Media.....Gases, Liquids compatible with wetted material
 Overload-Safe.....200% over capacity
 Overload-Burst.....500% over capacity to a max of 25,000 psi
 Pressure Port.....7/16-20 UNF
 Wetted Parts Material.....17-4 PH Welded Stainless Steel

Model A-105a

Typical System Diagram



Internal Amplifiers

Amplifier Specifications	Vehicle Voltage Output 2c	Vehicle Voltage Output 2t	Current 2 Wire Option 2k
Output Signal	1-5V @ 10mA	1-10V @ 10mA	4-20 mA
Input Power (Voltage)	16-28 VDC	16-28 VDC	9-28 VDC
Input Power (Current)	40 mA	40 mA	4-28 mA
Frequency Response	200 Hz	200 Hz	300 Hz
Power Supply Rejection	60 db	60 db	60 db
Operating Temperature	-20° to 185° F	-20° to 185° F	0° to 185° F
Reverse Voltage Protection	Yes	Yes	Yes
Short Circuit Protection	Momentary	Momentary	Yes
Wiring Code: Connector	A (+) Supply B**Output Common/ C**Supply Return D (+) Output E No Connection F No Connection	A (+) Supply B**Output Common/ C**Supply Return D (+) Output E No Connection F No Connection	A (+) Supply B No Connection C No Connection D (+) Output E Case Ground F No Connection
Wiring Code: Cable	R (+) Supply Bl* Output Common/ G* Supply Return W (+) Output B Shunt Cal 1 Br Shunt Cal 2	R (+) Supply Bl* Output Common/ G* Supply Return W (+) Output B Shunt Cal 1 Br Shunt Cal 2	R (+) Supply Bl (+) Output W Case Ground

* Black and Green wires are internally connected.

**Pins B & C are internally connected.

Range Codes

Range	Range Code
500 psi	CR
1000 psi	CV
2000 psi	DL
3000 psi	DN
5000 psi	DR
10,000 psi	DV

Options

	Build to Order
Pressure Ranges	500; 1000; 2000; 3000; 5000; 10,000 psi
Temperature Compensation	1a. 60° to 160° F 1b. 30° to 130° F 1c. 0° to 185° F 1d. -20° to 130° F 1j. 0° to 50° C 1k. -20° to 85° C
Internal Amplifiers	2k. 4-20mA (2-wire) output 2c. 1-5VDC 2t. 1-10 VDC output
Pressure Ports	5d. 7/16" - 20 UNF Male (per MS33656E4) 5p. M12 x 1.5
Electrical Termination	6a. Bendix PTIH-10-6P (or equivalent) 6 pin (max. 120° C) 6e. Integral cable: Teflon (-54° to 245° C) 6f. Integral cable: PVC (-30° to 70° C) 6h. Integral cable: Silicon (-54° to 150° C) 6i. Integral underwater cable (max 80° C) 6v. Phoenix connector on end of cable
Special Calibration	9a. 10 point (5 up/5 down) 20% increments @ 20° C 9b. 20 point (10 up/10 down) 10% increments @ 20° C

Supplied as standard

Special Customer Requirements (Consult Factory)

Custom Pressure Ranges

How to Order

The order code consists of the product model, the desired range code and the available options.

Sample Code: **AP315** **DN** **2t**
Model Code Range Code Options Code