

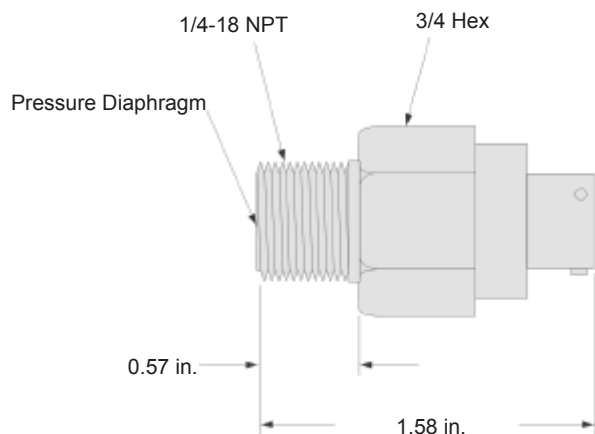
# Model A-205 Flush Diaphragm Pressure Transducer

Order Code BP312

- Unitized Flush Diaphragm
- 100 to 10,000 psig
- Stainless Steel



## Dimensions



## Wiring Code

### Connector/ Unamplified

A	(+) Excitation
B	(+) Excitation
C	(-) Excitation
D	(-) Excitation
E	(-) Output
F	(+) Output

## Performance

Pressure Ranges (note 3)	100; 150; 200; 300; 500; 750; 1,000; 1,500; 2,000; 3,000; 5,000; 7,500; 10,000 psig/a
Accuracy (note 2)	0.5% Full Scale
Non-Linearity and Hysteresis	+/-0.5% Full Scale (note 3)
Non-Repeatability	+/-0.1% Full Scale (note 3)
Output	2 mV/V
Resolution	Infinite

## Environmental

Temperature, Operating	-65° to 300°F
Temperature, Compensated	60° to 160°F
Temperature, Effect	
Zero	0.01 Full Scale/°F (note 3)
Span	0.02% Reading/ °F (note 3)

## Electrical

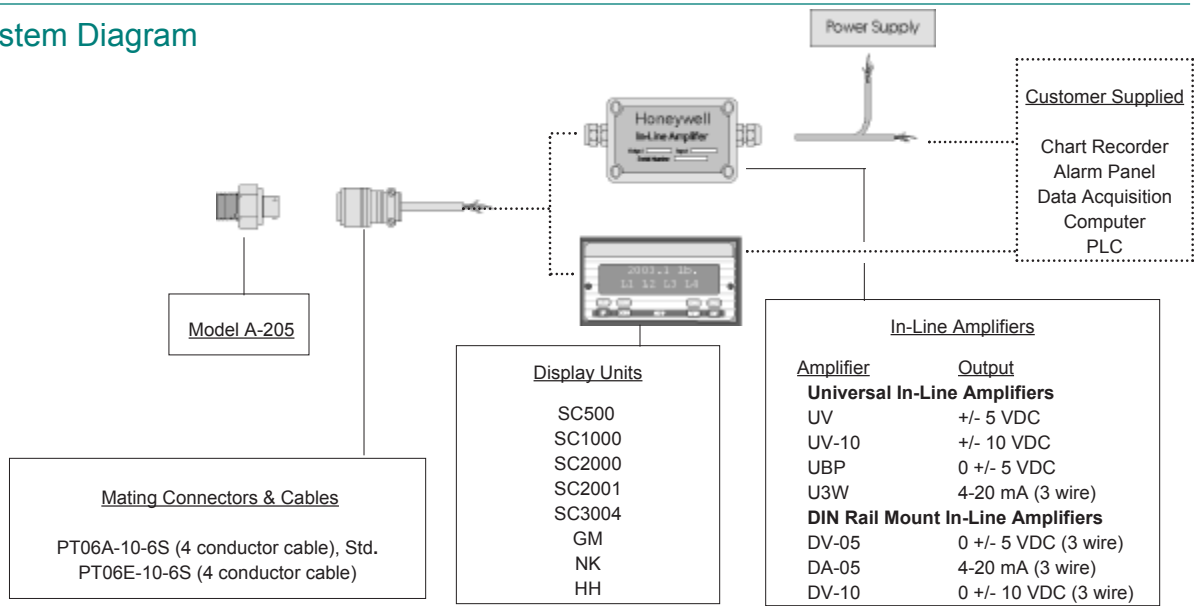
Strain Gage Type	Bonded foil
Excitation (calibration)	5 VDC
Excitation (acceptable)	Up to 5 VDC or AC
Insulation Resistance	5000 Megohms @50 VDC
Bridge Resistance	350 Ohms
Shunt Calibration Data	Included
Electrical Termination (std)	PTIH-10-6P or equivalent (Hermetic stainless)
Mating Connector (not incl.)	PT06-10-6S or equivalent (AA111)

## Mechanical

Media	Gases, Liquids compatible with wetted parts
Overload-Safe	50% over capacity
Proof Pressure	400% Full Scale (Max. 20,000 psi)
Dead Volume	Flush Diaphragm (Consult factory for charged volume)
Wetted Parts Material	17-4 PH Stainless Steel
Weight	2 oz.
Case Material	Stainless Steel

# Model A205

## Typical System Diagram



## Options

	Fast Track Manufacture	Built to Order	Built from Scratch
Pressure Ranges	150; 200; 300; 500; 750; 1000; 1500; 2000; 3000; 5000; 7500; 10,000 psi	100 psi	
Temperature Compensation	1a. 60° to 160° F 1b. 30° to 130° F 1c. 0° to 185° F 1d. -20° to 130° F 1e. -20° to 200° F 1f. 70° to 250° F 1i. -65° to 250° F	1g. 70° to 325° F 1h. 70° to 400° F	
Internal Amplifiers	2u. Unamplified, mV/V output		
Pressure Ports	5b. 1/4-18 NPT Male		
Electrical Termination	6a. Bendix PTIH-10-6P-(or equiv.) 6 pin (max. 400°F) 6i. Integral underwater cable (max. 180° F) (note 1)	6e. Integral cable: Teflon (-65° to 475°F) 6h. Integral cable: Silicone (-65° to 300°F) 6v. Phoenix connector on end of cable	
Special Calibration	9a. 10 point (5 up/ 5 down) 20% increments @ 70°F (note 4) 9b. 20 point (10 up/ 10 down) 10% increments @ 70°F (note 4)		
Wetted Diaphragm			10c. Hastelloy C 10e. Inconel X-750
Shock & Vibration	44a. Shock and vibration resistance		

Supplied as standard

Range Codes	Range	Range Code	Range	Range Code
	100 psi	BR	1,500 psi	DJ
	150 psi	CJ	2,000 psi	DL
	200 psi	CL	3,000 psi	DN
	300 psi	CP	5,000 psi	DR
	500 psi	CR	7,500 psi	DT
	750 psi	CT	10,000 psi	DV
	1,000 psi	CV		

## Special Customer Requirements (Consult Factory)

- Different electrical connectors
- Different materials
- Different threads
- O<sub>2</sub> Clean
- Operational temperature -320° to 400° F
- Radiation proof
- Special temperature compensation
- Temperature and pressure calibration

## Notes

- Not available with option 1e, 1f, 1g, 1h or 1i.
- Accuracies stated are expected for Best Fit Straight Line for all errors, including linearity, hysteresis & non-repeatability thru zero.
- For ranges less than 100 psi, consult factory for specifications.
- Not available for all ranges.

## How to Order

Combine the order code, the range code and the options code.

Sample Code: **BP312** **BJ** **1b**  
 Order Code      Range Code      Options Code