

# ID/GTS500-VID/01 (rev.1.02)

## Telemetry ground station system for Video and Data

### 1. INTRODUCTION

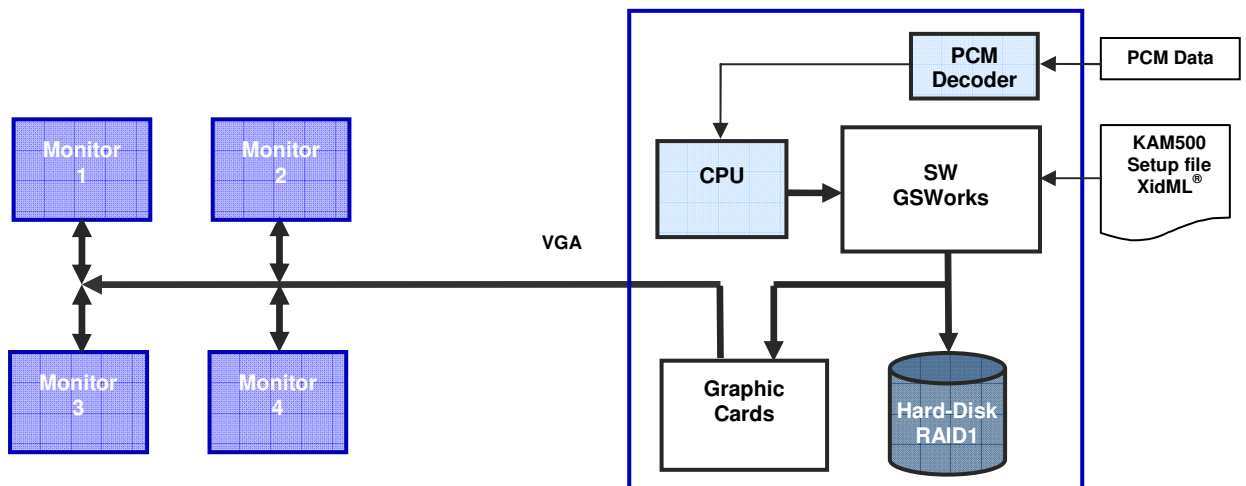
The ID/GTS500-VID/01 is a Rack-mountable 19" COTS integrated ground station system for real-time decoding of video streams from KAM500 VID/103 video encoder modules. The MPEG-4 video streams are extracted from an incoming IRIG-106 Chapter four compliant PCM stream and can be real-time displayed and stored on HD together with audio and others telemetry parameters.



### 2. FEATURES

- Real-time decoding and display of multiple video channels from a PCM data stream
- Display of PCM data together with video, in various formats (gages, strip charts...)
- Based on GSWorks software from ACRA Control
- Compatible with ACRA KAD/VID/103 MPEG-4 video compression module
- Data delivery, archival, visualization and analysis
- Wide range of display and analysis choices
- Identical user interface for real-time and post-test
- XidML<sup>®</sup> compatible
- Storage of decoded video on AVI files for sub-segment playback and archive
- Up to four (4) displays for flexible configuration or visualization arrangement
- Two or more stations can work in client/server mode on a LAN

### 3. ID/GTS500-VID/01 BLOCK DIAGRAM



## 4. MINIMUM HARDWARE CHARACTERISTICS

CPU:	Intel CORE2 Quad®, 2.33MHz
RAM:	2GB @1066MHz
HD:	2 SATA 750GB, RAID1 configured
Video card:	2 dual channel NVIDIA®, 512MB RAM
Operating System:	Windows XP Pro®
Others:	DVD-RW, FDD
Power supply:	180÷260V, 50Hz, 600Watt
Enclosure:	4U Rack-mountable 19" case - approx. dimensions - 17.8cm(H) x 43.2cm(W) x 55.9cm(D)
Oper. temp. range:	+10÷+40°C
Monitor:	4 High contrast 22"LCD 16:10
PCM Decoder:	ACRA GTS/DEC/003 Single-channel 10Mbps bit synchronizer and PCM decoder PCI card. It's a multi-function telemetry card including digital bit synchronizer and PCM decommutator. It can reconstruct a serial PCM data stream that has been corrupted by noise, phase jitter, amplitude modulation, or base line variations. It can operate over a range of 300Kbps to 10Mbps for NRZ-L (5Mbps for BiPhase codes).  <i>Opt.: GTS/DEC/004 Dual-channel 20Mbps bit synchronizer with smart source selection PCI card.</i>

## 5. ACCESORIES

Cables:	1.5m VGA or DVI cables, depending by the monitor connection
Options:	Wireless LAN

*Due to continuous developments specifications subject to change without prior notice.*