



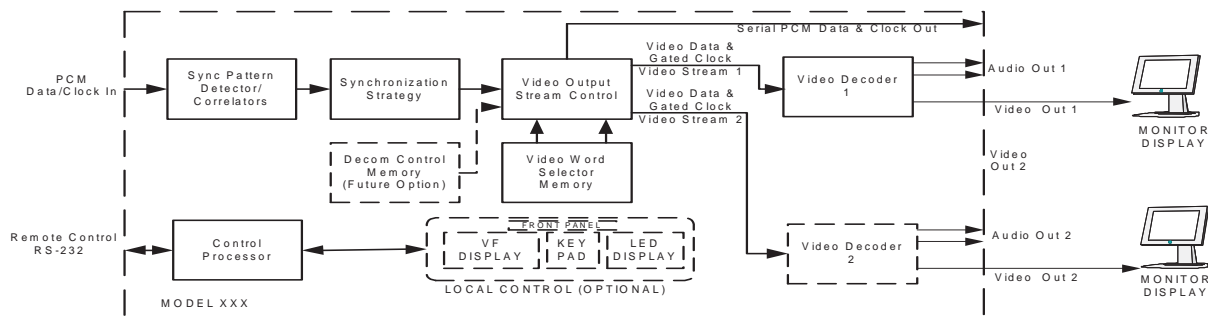
### FEATURES

- PCM Frame Synchronizer
- Single or dual MPEG-4 Decoder (ISO 14496-2)
- IRIG 106 Serial PCM at rates up to 25Mbps
- Video/audio demultiplexing
- NTSC/PAL
- Compressed Video/ audio data rates from 64k to 6Mbps
- RS-232 Port Control
- Standard Rack-mount Chassis

Delta's Model 4905 is a PCM Frame synchronizer and MPEG-4 video decoder. The 4905 accepts IRIG-106 serial PCM data (NRZ-L) at clock rates up to 25Mbps. The unit locates the sync pattern and outputs the serial data and synchronization status while feeding a video word selector memory that allows the extraction of up to two video transport streams embedded in the PCM data stream. Extracted video words are routed to one or both of the MPEG-4 decoders.

The decoder(s) receives the gated clock and data from the frame synchronizer and demultiplexes the transport stream. The video is decompressed in accordance with the MPEG-4 Part 2 standard. The decoder decompresses the ADPCM coded audio stream. The audio and video are converted to analog for realtime playback.

The Model 4905 is designed to operate with PCM telemetry systems that contain Delta's OEM MPEG-4 encoder products and is compatible with NTSC and PAL video systems. Control for the system is provided via an RS-232 port. Both the frame synchronizer and decoders are controlled via this port.



 a division of  
**DELTA INFORMATION SYSTEMS, INC.**

300 Welsh Road, Building 3 • Horsham, PA 19044-2273 • tel 215-657-5270 • fax 215-657-5273 • www.delta-info.com/ddv

Questi prodotti sono distribuiti e supportati in Italia da:

**Instrumentation  
Devices** 

Instrumentation Devices Srl

Via Acquanera 29 - 22100 COMO (Italy)

ph +39 031 525 391- fax +39 031 507 984

info@instrumentation.it - www.instrumentation.it

**VIDEO OUTPUT**

Ports	One/Two
Format	Composite
Levels	1.0Vp-p
Impedance	75 ohms
Connector	BNC

**VIDEO DECOMPRESSION**

Algorithm	ISO/IEC 14496-2 MPEG-4 Part 2 (Simple Profile)
Modes	I-only/IP
Resolution	D1/2CIF/CIF
Frame Rate	1-30 (25 for PAL)

**DE-MULTIPLEX**

Protocol	ISO/IEC 13818-1 MPEG-2 Transport Stream Video/Audio
----------	---

**AUDIO OUTPUT**

Ports	Two
Channels	None, Left, Left and Right*
Format	Balanced (Line Level)
Levels	2.8V p-p (1 Vrms)
Impedance	10K ohms
Gain	0 to 64 db*
Connector	LEMO (6-pin)

**AUDIO DECOMPRESSION**

Algorithm	ADPCM
Sample Rates	8K/16Ksps
Synchronization	Lip synchronized with video

**PCM FRAME SYNCHRONIZER**

Ports	One
Format	IRIG-106 NRZ-L
Signals	Clock/Data
Levels	TTL/RS-422
Connector	BNC/TRIAX

**FRAME SYNC PATTERN DETECTOR**

Operation	Enabled or Disabled
Polarity Correction	Automatic (Can be disabled)
Frame sync Pattern	Up to 32 Bits, all maskable
Frame Length	16 to 65536 bits per frame
Words per Frame	Up to 4096 Words
Word Size	4-bits to 16-bits (Supercomm Capable)
Search Errors	0 to 15
Check Errors	0 to 15
Lock Errors	0 to 15
Check Frames	0 to 15
Flywheel Frames	0 to 15
Sync Lock Indicator	Front Panel LED

**CONTROL**

Ports	One
Protocol	RS-232
Signals	RD, SD, GND
Data Rate	9600, Asynchronous
Format	8-bit Data, 2 Stop Bits, No Parity
Connector	9-Pin 'D'

**POWER**

Voltage	90-264VAC
Frequency	47 to 63Hz
Connector	Standard IEC-320

**SIZE**

1.75"H x 19"W x 12"D  
Weighs less than 6 lbs.



©2005 Delta Information Systems, Inc.  
All rights reserved. Revision 0513



300 Welsh Road, Building 3 • Horsham, PA 19044-2273 • tel 215-657-5270 • fax 215-657-5273 • www.delta-info.com/ddv

Questi prodotti sono distribuiti e supportati in Italia da:



Instrumentation Devices Srl

Via Acquanera 29 - 22100 COMO (Italy)

ph +39 031 525 391- fax +39 031 507 984

info@instrumentation.it - www.instrumentation.it