



TECHNICAL DATA

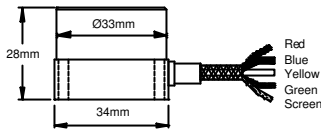
Data Sheet DS0012 Iss 7 Page 1 of 2

MTN/7200 Series Accelerometer with DC Response and 4-20mA Output

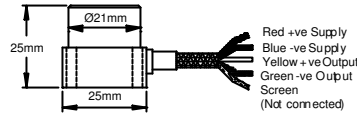
Applications:

- Research & Development
- Structural Monitoring
- Slow Rotating Machines
- Test Rigs

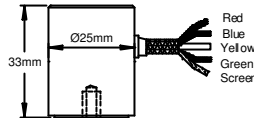
MTN/7210



MTN/7200



MTN/7220



Technical Specification:

Sensitivity	4 – 20mA (dependent on range). Calibration data supplied
Frequency Response	Dependant on dynamic range (±5%) ±1g – DC to 250 Hz, ±10g – DC to 500 Hz ±2g – DC to 250 Hz, ±20g – DC to 700 Hz ±5g – DC to 300 Hz, ±50g – DC to 1 kHz
Resonant Frequency	±1g – 700 Hz, ±10g – 850 Hz ±2g – 700 Hz, ±20g – 1200 Hz ±5g – 800 Hz, ±50g – 1800 Hz
Isolation	Base Isolated
Operation Temp.	-20° C to +85° C (extend range available up to 125° C)
Storage Temp.	-40° C to +125° C
DC Supply	10 – 30 Volts
Acceleration Limits	x 20 any direction
Case Material	Stainless steel
Weight	40g nominal
Cable (Standard)	5m of 4 Core stainless steel overbraided PVC
Electrical Noise	10 g
Sealing	IP65

ORDER CODE PART No	MOUNTING	
MTN/7100	SMALL FOUR POINT	REQUIRES
MTN/7110	LARGE FOUR POINT	4 x M3 BOLTS
MTN/7120	1/4" UNF SINGLE POINT	SEE OVER PAGE
MTN/7120F	10-32UNF SINGLE POINT	FOR BASE
MTN/7120Q	QUICK FIT SINGLE POINT	ADAPTERS

Monitran Ltd

Monitor House | 33 Hazlemere Road | Penn | Bucks | HP10 8AD | UK

Tel: +44 (0)1494 816569

Email: info@monitran.com

Registered in England No. 2054040

Fax: +44 (0)1494 812256

Web: www.monitran.com

Vat No. GB442 4883 40



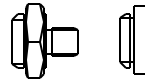
Mounting Adapters and Studs

Studs and Grub Screws



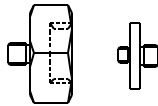
Male Studs		
Product Code	From	To
MS036	1/4" - 28 UNF	M6
MS039	1/4" - 28 UNF	10 - 32 UNF
MS067	1/4" - 28 UNF	M8
MS068	1/4" - 28 UNF	1/4" - 28 UNF
MS124	1/4" - 28 UNF	M10
MS132	1/4" - 28 UNF	M12

Quick Fit Adapters



Quick Fit (Q/F)		
Product Code	From	To
MS001	Q/F Male	Glue Base
MS002	Q/F Male	M8 Male
MS003	Q/F Male	M10 Male
MS004	Q/F Male	1/4" - 28 UNF Male
MS006	Q/F Male	M6 Male

Other Adapters



Mounting Adapters		
Product Code	From	To
MS005	Q/F Male	1/4" - 28 UNF Female
MS007	Q/F Male	10 - 32 UNF Female
MS008	Q/F Male	M8 Female
MS011	1/4" - 28 UNF Male	Q/F Female
MS013	1/4" - 28 UNF Male	Glue Base
MS033	1/4" - 28 UNF Male	Q/F Female
MS038	Q/F Male	M8 Conical Male
MS061	1/4" - 28 UNF Male	10 - 32 UNF Male
MS079	1/4" - 28 UNF Male	Q/F Female
MS106	Q/F Male	M10 Female

Isolation		
Product Code	From	To
MS034	1/4" - 28 UNF Male	1/4" - 28 UNF Female
MS093	Q/F Male	M8 Male

Monitran Ltd

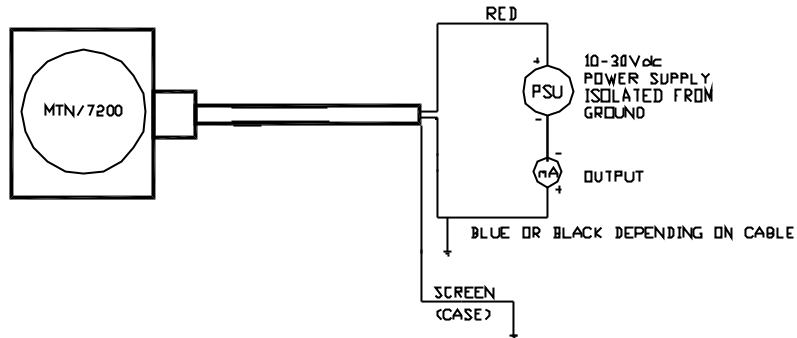
Monitor House | 33 Hazlemere Road | Penn | Bucks | HP10 8AD | UK

 Tel: +44 (0)1494 816569 Email: info@monitran.com Registered in England No. 2054040

 Fax: +44 (0)1494 812256 Web: www.monitran.com Vat No. GB442 4883 40


We reserve the right to alter specifications without prior notice

System Connection



Monitran Ltd

Monitor House | 33 Hazlemere Road | Penn | Bucks | HP10 8AD | UK

Tel: +44 (0)1494 816569 Email: info@monitran.com Registered in England No. 2054040

Fax: +44 (0)1494 812256 Web: www.monitran.com Vat No. GB442 4883 40



We reserve the right to alter specifications without prior notice

